

SINK SPECIFICATIONS

Premium Series

BLANCOMAGNUM™ LARGE SINGLE BOWL WITH APRON & TOWEL BAR Undermount

Model 501-113-AT



FEATURED MODEL

501-113-AT 12" bowl depth

ADDITIONAL MODELS

501-113-A With apron, 12" bowl depth

FEATURES

- 18 gauge, 304 series stainless steel (16 gauge Apron)
- 18/8 chrome/nickel content
- Long-lasting, easy-to-clean, satin finish
- 4 diagonal drain grooves channel water directly to center drain

OPTIONAL ACCESSORIES

Sink Grid: 220-997 (Formerly 501-913)
Colander: 215-651

WARRANTY

Blanco America's BLANCOMAGNUM™ Series sinks feature a "NO HASSLE" LIMITED LIFETIME WARRANTY to be free of all manufacturing defects under normal use. See our complete warranty for details.

While Blanco America endeavors to provide accurate information, all dimensions are nominal, cannot be guaranteed, and are subject to change or cancellation. Blanco America assumes no responsibility for use of superseded or voided specifications.

PRODUCT SPECIFICATION

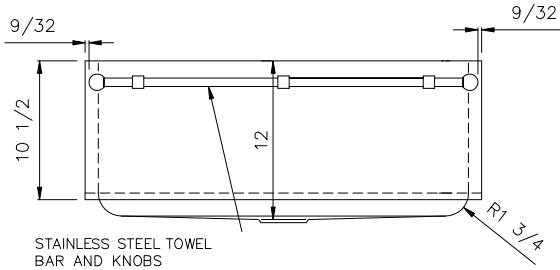
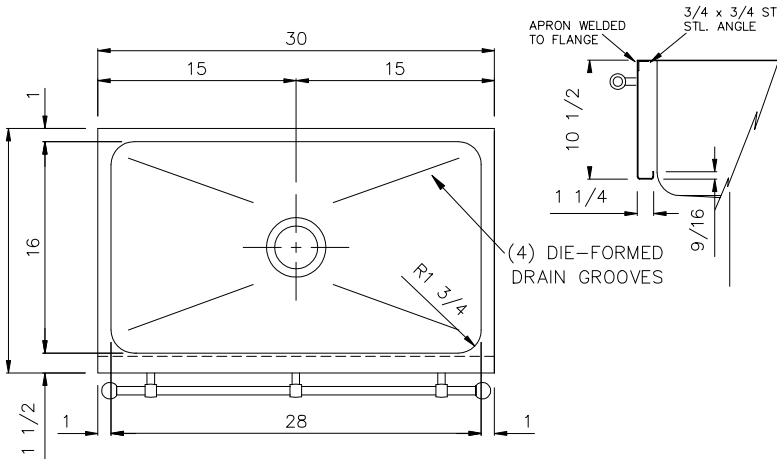
Undermount sink to be specialty single bowl design, 30" in length and 18-1/2" in front-to-back depth. Stainless steel towel bar and knobs. Sink to be made from 18 gauge, 304 series stainless steel, with 18/8 chrome/nickel content and satin finish. Apron to be 16 gauge stainless steel. Sink to feature center drain placement with 4 diagonal drain grooves. Sink to be Blanco Model 501-113-AT, with bowl depth of 12".



MODEL 501-113-AT

NOMINAL DIMENSIONS

MODEL	OVERALL	BOWL DEPTH	DRAIN DIAMETER
501-113-AT	30 x 18-1/2	12	3-1/2



JOB INFORMATION

Job Name: _____
 Contact: _____
 Date Specified: _____
 Specifier: _____
 Contractor: _____

BLANCO AMERICA
800.451.5782
www.blancoamerica.com

© 2007 BLANCO AMERICA
 04/07 SPEC-003